

Casella Sample Valve

A versatile valve engineered to provide a simple and cost-effective solution for a multitude of applications

Specifications

- 316L Stainless Steel Construction
- 20 Ra Electro-Polished ID Finish as Standard
- Tri-Clamp inlet Connections: 3/4" to 6"
- Hose Barb or Tri-Clamp Outlet
- EPDM or Platinum Cured Silicone O-Ring (Class VI)
- Teflon (PTFE) Sealing Tip (Class VI)
- High Temperature Ultem Hand Wheel
- Optional Radem Colored Hand Wheels
- Autoclavable & Steamable
- Full Documentation Package Provided as Standard

Available Orientations

- Concentric Right Angle
- Eccentric Right Angle
- Concentric Inline
- Eccentric Inline Custom

Applications

- Vent Drain Valve
- Bleed Applications
- Sampling
- Transfer Panel Safety Valve



Now Available In Colors

Colored Hardware Applications

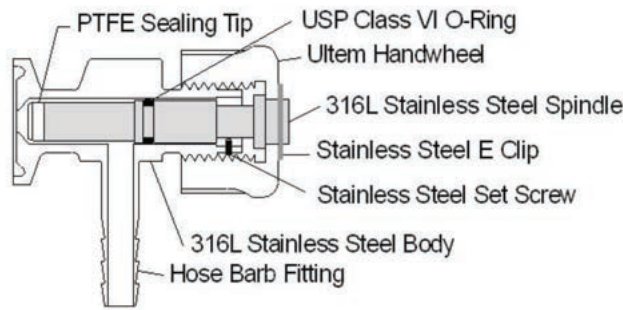
Department Identification
Process Identification

All materials are safe to autoclave



Designed to meet the stringent requirements of the pharmaceutical and biotech industries, the Casella Sample Valve is constructed of 316L stainless steel and USP Class VI components. The combination of an internal surface finish of 20 Ra and EPDM or silicone o-rings makes the valve suitable for a broad range of applications. The hand wheels are available in multiple color options and are highly resistant to acidic solutions. Additionally, the valves are capable of multiple autoclave and SIP cycles. They are available in several mounting configurations: right angle or inline models, with concentric or eccentric style mounting. And, for a completely drainable valve choose the 1" and larger eccentric style with the outlet at the bottom of the connected piping. The Casella Sample Valve is fully traceable via a comprehensive documentation package that includes material test reports and Certificates of Compliance.

PART NUMBER GUIDE								
Casella Sales	SIZE	INLET Connection: Tri-clamp or Butt Weld	Angle or Inline	Concentric or Eccentric	EPDM or Silicone	OUTLET Connection: Tri-clamp or Hose Barb	Optional Colored Hand Wheel	
CSM	75 (1/2 - 3/4")	TC	A	E	E	TC	Blank	Amber
	100 (1")	BW	I	C	S	HB	RB	Blue
	150 (1.5")						RR	Red
	200 (2")						RG	Green
	250 (2.5")						RY	Yellow
	300 (3")							
	400 (4")							
600 (6")								



SPARE PARTS	
Description	Part Number
SS Set Screw	CSM0010
SS E-Clip	CSM0020
EPDM O-Ring Class VI	CSM0030E
Silicone O-Ring Class VI	CSM0030S
PTFE Sealing Tip	CSM0040
Ultem Hand Wheel (Standard) - Amber	CSM0050
Optional Colored Hand Wheel - Blue	CSM0050RB
Optional Colored Hand Wheel - Red	CSM0050RR
Optional Colored Hand Wheel - Green	CSM0050RG
Optional Colored Hand Wheel - Yellow	CSM0050RY
Complete Standard Repair Kit - EPDM O-Ring	CSM0150E
Complete Standard Repair Kit - Silicone O-Ring	CSM0150S



To order a repair kit for valves with colored hand wheels add the color code on the end of the kit part number.